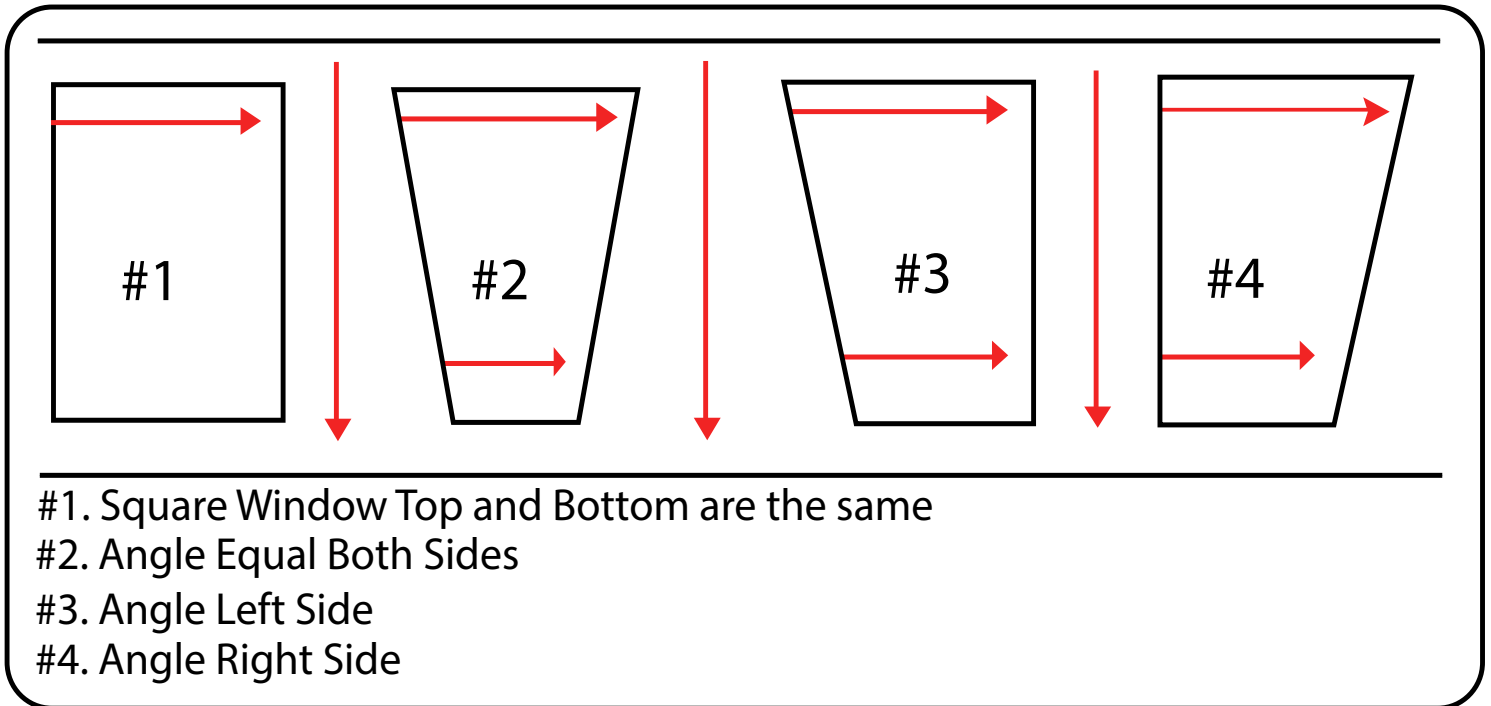
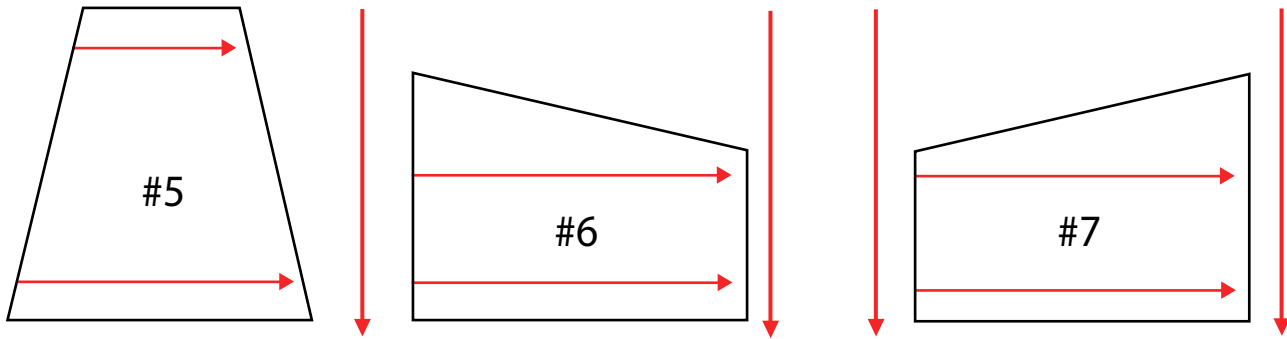


# Measurement and Installation Guide

# Boat Shades Measurement Guide



# Cab Shades Measurement Guide



## Bottom Up

Shapes shown above are wider at the bottom than top. Shades must pull up through our pulley system. Spring Roller + Cord + Cord Lock

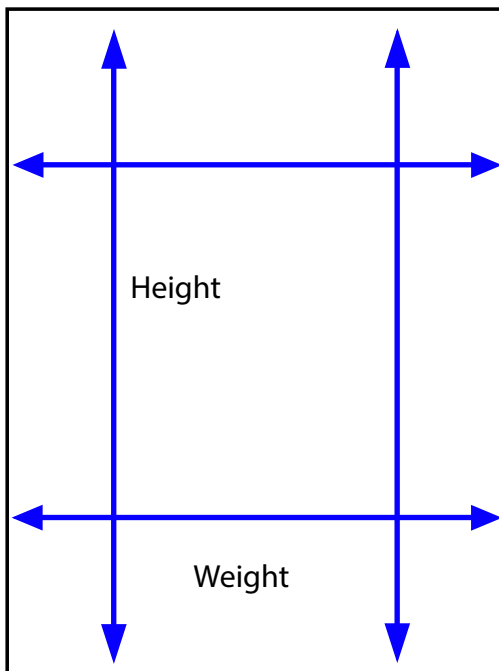
#5. Bottom Up Equal both sides

#6. Bottom Up Longer on Left Side

# Squared and Angled Windows Measurement Guide

## Measuring Guide

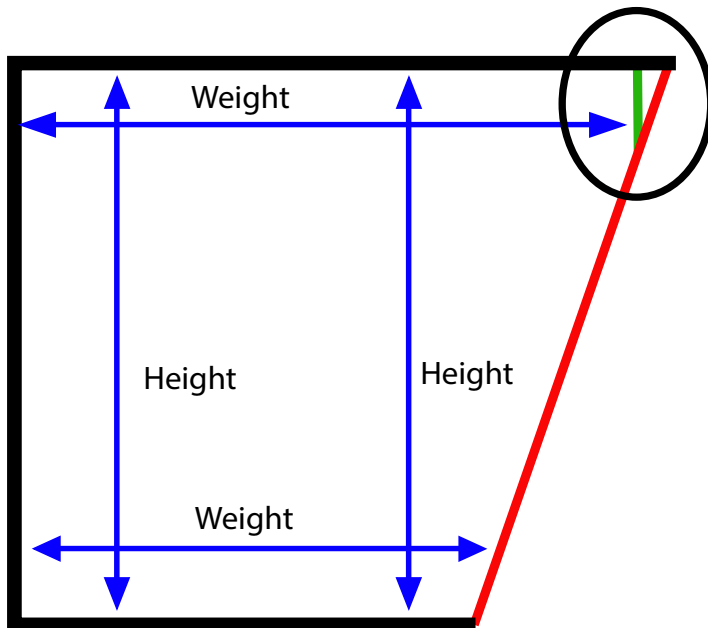
### Square & Angled Windows



Measuring use a metal pull out tape. Check the width and height in two or more places. Be sure the mounting surface is level. If installing between the frames order as inside space. Factory will deduct 1/8 inch for clearance. The best coverage is a face or outside installation. It should extend at least 3/4 inch or wider on each side.

# Angle Cut Window Measurement Guide

Inside Installation for **Angle Cut Windows** requires space to mount the shade brackets



Best Shade Measure

## Inside Fit

Measure two inches below the top of the window. This allows sufficient space to install Top Down Brackets

**Solar-Screen**  
co.Inc.

53-11 105th St.

Corona, NY 11368

(718) 592-8222

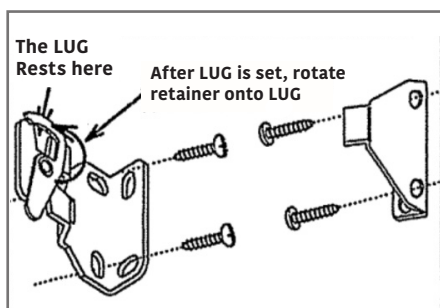
[solarscreen@prodigy.net](mailto:solarscreen@prodigy.net)

## Chain Drive Instructions

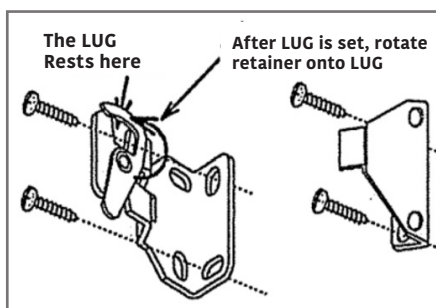
### 1. Mount the Brackets

If the clutch is on the right end of the shade, attach the brackets to the window frame, window molding, wall or ceiling, as shown below. If the clutch is on the left end of the shade, reverse the bracket positions, left for right.

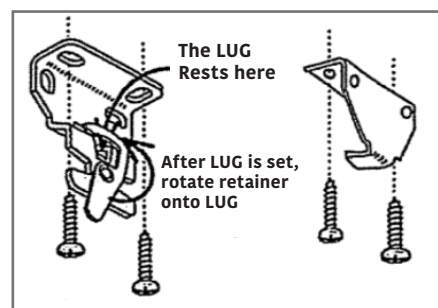
**TO THE INSIDE OF THE WINDOW FRAME**



**TO THE WALL OR TO THE FRONT OF THE WINDOW MOLDING**



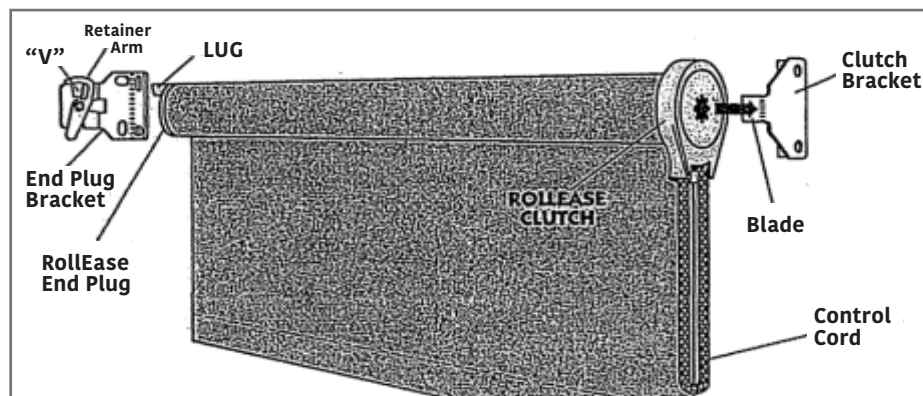
**TO THE CEILING OR TO THE TOP OF THE WINDOW FRAME**



### 2. Install the Shade

**A** Push the **Clutch straight** onto the bracket **Blade** until fully seated. *The bottom of the Clutch faces down.*

**B** Lower the **LUG** of the **End Plug** onto the "V" of its bracket. The **roller** should fit in the bracket securely, just a little play. *Rotate the Retainer to lock*



### 3. Ball Chain Lifts and Lowers the Shade

**GENTLY** pull the Chain: For shades where the fabric rolls against the window the **front Chain lifts**. If the shade rolls **away** from the window the back Chain lifts.

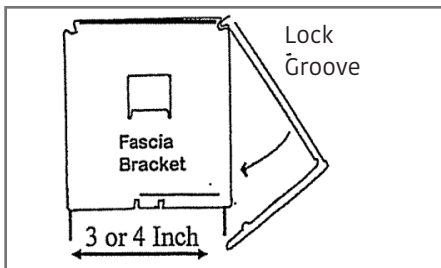
### 4. Limit stops to prevent the shade from rolling too high or low

**Metal Chain** - 2 Steel Balls / **Nylon Chain**-2 Plastic Balls. Note the position of the chain when the shade is pulled up or down.

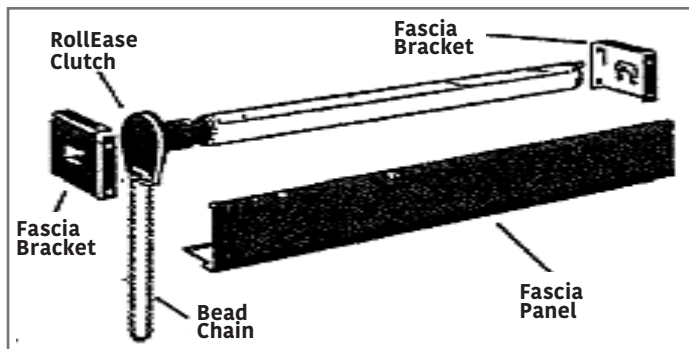
**Lower Limit Stop** - Lower shade to its bottom point. Secure one Stop slightly below the Clutch on the appropriate chain side.

**Upper Limit Stop** - Raise shade to its highest point. Secure one Stop slightly below the Clutch on the appropriate chain side. If Stop is set incorrectly Pry Metal Ball open and Pop off the Clear Balls Stop.

## Alumunum Fascia and Brackets Installation Instructions



## For Chain or Motorized



### Aluminum Fascia covers Front and Bottom of Shade

Aluminum Fascia and Brackets are 3 or 4 Inch based on shade diameter. The bracket can be installed Inside\*, Ceiling or Face mount. Position the bracket and use two or more screws through any of the punched holes. The Fascia is *notched* for the Chain and Battery Drive. *It is not notched* for the 110 Volt Motors.

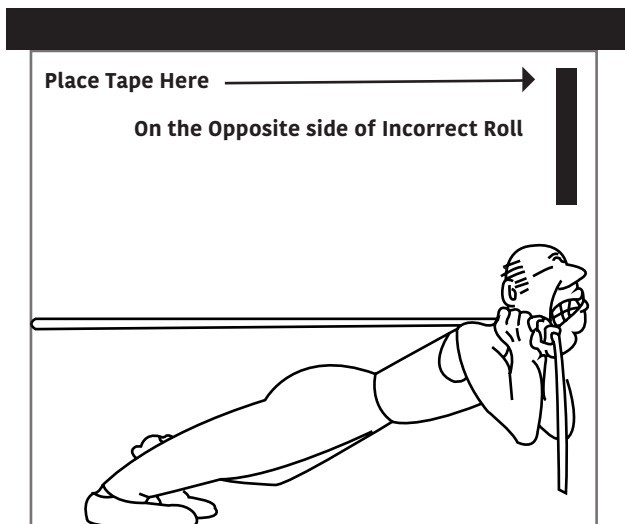
1. Install the two square brackets *open side down with the Blade on drive side.*
2. Install and operate shade-if not rolling correctly see instructions below.
3. Set Limit Stops as shown on reverse side of this sheet.
4. **Hook the Fascia into the top of the Bracket; it functions as a hinge. Pull down until it snaps into place.** \* *If Inside mount two holes must be drilled through the sides*

## Correcting the Shade Roll

**Shade does not roll up evenly.**

The installation is not level causing the shade to telescope as it rolls up.

**Immediate correction** is required! It can damage the shade edge if forced against the bracket



Lower the shade until the roller is **almost** exposed. Do not lower too far or the shade can pull off the adhesive bonding strip

On the **opposite side** of the incorrect roll place a 2 or 3 inch length of 1/2 inch wide masking tape or cloth tape on the **long edge** of the Shade.

**This will balance (level) the roller.** Additional layers may be required until the shade rolls up evenly. The tape will remain in place for the life of the shade.

Test by rolling the shade up slowly. If problem continues add another layer of tape.

*If it is impossible to correct the installation area is not level. The shade brackets must be shimmed.*

## INSTALLATION

1. Pull the Chainhold down until the chain is fully tensioned (plunger will be fully raised).
2. Mark screw hole locations.
3. Screw device into wall.



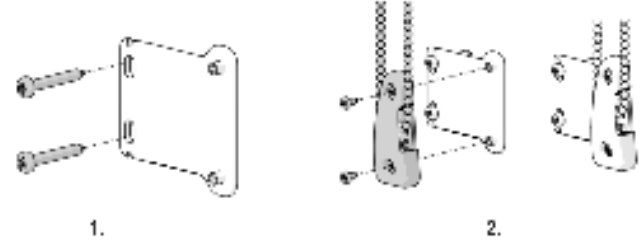
## ADDITIONAL MOUNTING OPTIONS

1. With provided screws, install bracket first with large screws (use Chainhold marked screw hole locations as reference).
2. Install Chainhold into bracket with small screws.

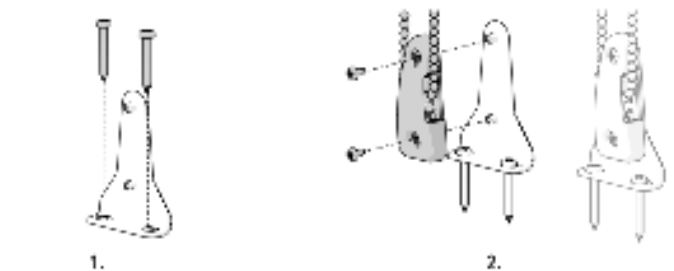
### OUTSIDE MOUNT



### SIDE MOUNT



### FLOOR MOUNT



Chainhold | Assembly & Installation Manual | v1.1  
©2016 Copyright All Rights Reserved Rollease Acmeda





# CHAIN TENSION DEVICE

## GETTING STARTED

**IMPORTANT:** The included screws can be screwed directly into wood. When attaching to drywall or metal, use anchors that are designed for such substrates. See your hardware store or supplier for guidance on appropriate anchors for your substrate.

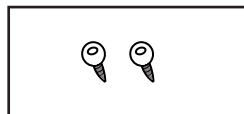
### Tools Needed

- Pencil
- Phillips Head Screwdriver
- Tape Measure
- Power Drill

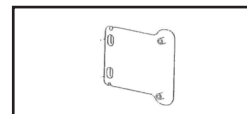
### Parts Included:



2 Large Screws



2 Small Screws



**Bracket**  
Select Option that Suits Installation

## STEP 1: POSITION TENSION DEVICE

The tension device must be installed to make the shade fully operable.

**PROCEDURE:** To begin installation, first slide the tension device to the bottom of the bead chain.

While holding the tension device in one hand, pull the plunger away from the bead chain with the other hand. Lift the bead chain out of the bead locking groove and slide the tension device to the plunger bottom of the chain loop.

Pull the tension device down until the bead chain Bead is fully tensioned (plunger will be at the top) and locking, then move the tension device up approximately 3/8" groove (3mm).

Mark the screw hole locations on the wall with a pencil.

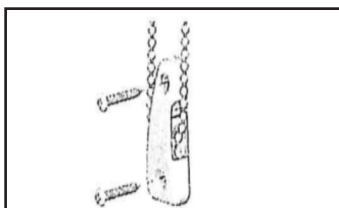
## STEP 2: MOUNT TENSION DEVICE

**GENERAL NOTE:** If mounting into wood, pre-drill screw holes and then install the tension device using the 2 large screws provided.

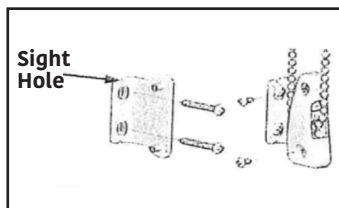
If not securing into wood, use appropriate anchors for the substrate and follow anchor manufacturer's instructions.

**USING A BRACKET:** Align the mounting bracket sight holes with the pencil marks and fix the bracket. Press the tension device onto the mounting bracket posts. Carefully install the 2 small screws provided, through the tension device into the mounting bracket using a Phillips head screwdriver. **DO NOT OVER-TIGHTEN.**

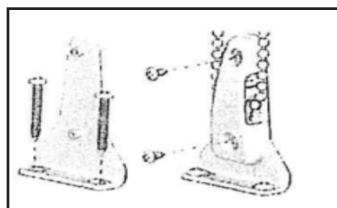
Inside Mount



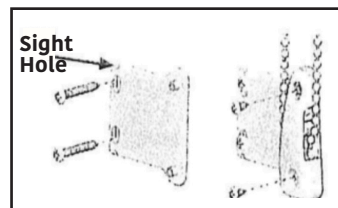
Outside Mount



Floor Mount



Side Mount



### FLOOR MOUNT INSTRUCTIONS:

- Securely fix the floor mount bracket to desired location.
- Assemble with chainhold & chain.